

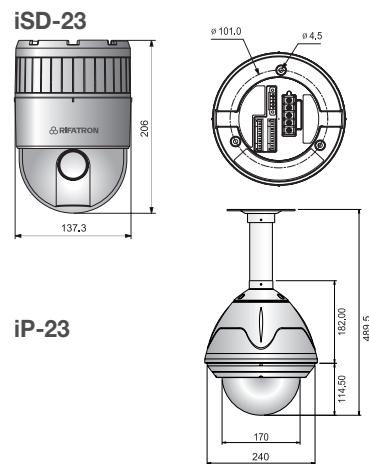
# [x23] Speed Dome Camera iSD-23 | iP-23

- Indoor and Outdoor
- 1/4" Sony Super HAD CCD
- x23 Auto Focus Optical Zoom [X10 Digital Zoom]
- Digital Signal Process
- Programmable User reference (Alarm, Preset, Title and so on)
- ARPC (Auto Recognition of Position Compensation)
- BOD (Brown-out Detector)
- WDT (Watchdog Timer Reset)
- Auto Flip (180° Dome Rotation)
- Built in Power Surge / Lightning Protection
- DC24V / AC24V

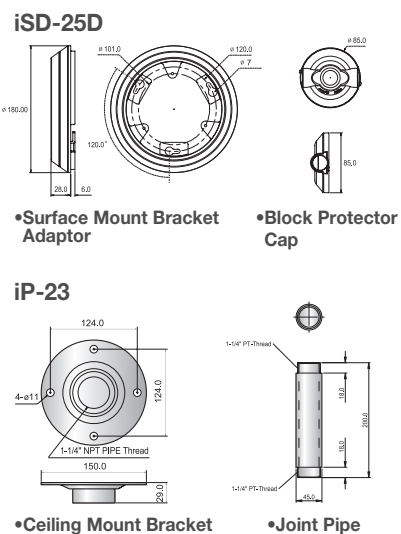


	Model	iSD-23 (Indoor)		iP-23 (Outdoor)	
GENERAL	Signal Mode	NTSC	PAL	NTSC	PAL
	Image Device	1/4" Sony Super HAD CCD		1/4" Sony Super HAD CCD	
	Lens	x23 Auto Focus Zoom [F1.6, f=3.8-87.4mm]		x23 Auto Focus Zoom [F1.6, f=3.8-87.4mm]	
	Total Pixel No.	410K	470K	410K	470K
	Effective Pixel No.	768(H) X 494(V)	752(H) X 582(V)	768(H) X 494(V)	752(H) X 582(V)
	Horizontal Resolution	470 TV Lines	460 TV Lines	470 TV Lines	460 TV Lines
	Min. Illumination	1.0 Lux [30 IRE]		1.0 Lux [30 IRE]	
	Scanning System	2:1 Interlace		2:1 Interlace	
	Sync. System	Internal / External		Internal / External	
	S/N Ratio	More than 49dB (AGC off)		More than 49dB (AGC off)	
	Video Output Signal	1.0Vp-p [Composite, 75Ω]		1.0Vp-p [Composite, 75Ω]	
	Elec. Shutter Speed	1/60-10,000	1/50-10,000	1/60-10,000	1/50-10,000
DETAIL	Alarm Input / Output	8 Input / 4 Output		8 Input / 4 Output	
	[Panning] Range & Speed	0-360°, Max 430°/sec		0-360°, Max 430°/sec	
	[Tilting] Range & Speed	0-94°, Max 90°/sec		0-94°, Max 90°/sec	
	Preset & Speed	319 position, Max 500°/sec		319 position, Max 500°/sec	
	Auto Scan	8 including Vector Scan		8 including Vector Scan	
	Guide Tour	8 Guard Tour		8 Guard Tour	
	Pattern	4 Pattern		4 Pattern	
	Privacy Zone Masking	8 Zone		8 Zone	
	Power Source	DC 24V / AC 24V		DC 24V / AC 24V	
	Power Consumption	1.5A		2A	
	Operating Temperature	32°F-122°F [0°C-50°C]		-13°F-158°F [-25°C-70°C]	
	Operating Humidity	Up to 90% RH		Up to 90% RH [Non-Condensing]	
	Storage Temperature	-4°F-140°F [-20°C-60°C]		-58°F-176°F [-50°C-80°C]	
	Built-in Cooler/Heater	N/A		2 Fan / 2 Heater	
	IP Rating	N/A		IP 66	
	Material	Polycarbonate, Aluminium, ABS		Polycarbonate, Aluminium, ABS	
	Color	Black		Ivory	
	Weight	1,700 g		4,500 g	
Dimension(mm)	137.3(W) X 206(H)		240(W) X 489.5(H)		
Certification	CE, FCC, RoHS compliance		CE, FCC, RoHS compliance		

## Dimension (unit:mm)



## Standard Accessories



# [x10] Speed Dome Camera iSD-10D

- Indoor
- 1/4" Sony Super HAD CCD
- x10 Auto Focus Optical Zoom [X10 Digital Zoom]
- Digital Signal Process
- Day & Night [Auto ICR]
- Programmable User reference (Alarm, Preset, Title and so on)
- ARPC (Auto Recognition of Position Compensation)
- BOD (Brown-out Detector)
- WDT (Watchdog Timer Reset)
- Auto Flip (180° Dome Rotation)
- Built in Power Surge / Lightning Protection
- DC12V



	Model	iSD-10D (Indoor)	
GENERAL	Signal Mode	NTSC	PAL
	Image Device	1/4" Sony Super HAD CCD	
	Lens	x10 Auto Focus Zoom [F1.6, f=3.8-38mm]	
	Total Pixel No.	410K	470K
	Effective Pixel No.	768(H) X 494(V)	752(H) X 582(V)
	Horizontal Resolution	470 TV Lines	460 TV Lines
	Min. Illumination	0.7 Lux [50 IRE]: D/N OFF, 0.02Lux[50 IRE]: D/N ON	
	Scanning System	2:1 Interlace	
	Sync. System	Internal	
	S/N Ratio	More than 50dB (AGC off)	
	Video Output Signal	1.0Vp-p [Composite, 75Ω]	
	Elec. Shutter Speed	1/60-120,000	1/50-120,000
DETAIL	Alarm Input / Output	4 Input / 2 Output	
	[Panning] Range & Speed	0-360°, Max 430°/sec	
	[Tilting] Range & Speed	0-93°, Max 90°/sec	
	Preset & Speed	319 position, Max 500°/sec	
	Auto Scan	8 including Vector Scan	
	Guide Tour	8 Guard Tour	
	Pattern	4 Pattern	
	Privacy Zone Masking	1 Zone	
	Power Source	DC12V	
	Power Consumption	1.5A	
	Operating Temperature	32°F-122°F [0°C-50°C]	
	Operating Humidity	Up to 80% RH	
	Storage Temperature	-4°F-140°F [-20°C-60°C]	
	Built-in Cooler/Heater	N/A	
	IP Rating	N/A	
	Material	Polycarbonate, Aluminium, ABS	
	Color	Ivory	
	Weight	1,400 g	
Dimension(mm)	170(W) X 148(H)		
Certification	CE, FCC, RoHS compliance		

## Dimension (unit:mm)

